



Generations of family fun.

# PRECEPT PRESTIGE



CLASS A MOTORHOME

PRECEPT PRESTIGE



SUPREME QUALITY AND DRIVABILITY

**2+3**  
YEAR | YEAR  
WARRANTY

# PRECEPT PRESTIGE



Precept Prestige 36H Shown in Addison Interior Design



Precept Prestige Featuring LED-Lit Hardwood Fascia, Hardwood Cabinet Doors & Drawers & 6-Way Power Swivel Driver & Passenger Seats



Soft-touch, Vinyl-Wrapped Automotive Dash with Pioneer® Infotainment Center featuring Apple® CarPlay™ & Android Auto™



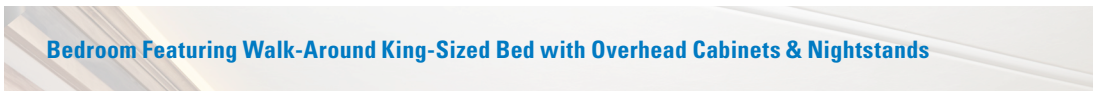
China Hutch Featuring 40" Furrion® Electric Fireplace



JAYCOMMAND™ Coach Control System Powered by Firefly



**Kitchen Featuring Furrion® Recessed Gas Cooktop with Cast Iron Grill, Optional Built-In Oven & Residential-Sized Convection Microwave Oven**



**Bedroom Featuring Walk-Around King-Sized Bed with Overhead Cabinets & Nightstands**



[Click here to visit gallery on website](#)

## LET'S RIDE

The 2021 Precept Prestige boasts four new full-body paint packages and is one of Jayco's largest, most luxurious Class A coaches.



**Bathroom Featuring One-Piece Fiberglass Shower with Glass Door, LED-Lit Recessed Stainless Steel Sink & Mirrored Medicine Cabinets**

# PRECEPT PRESTIGE FLOORPLANS

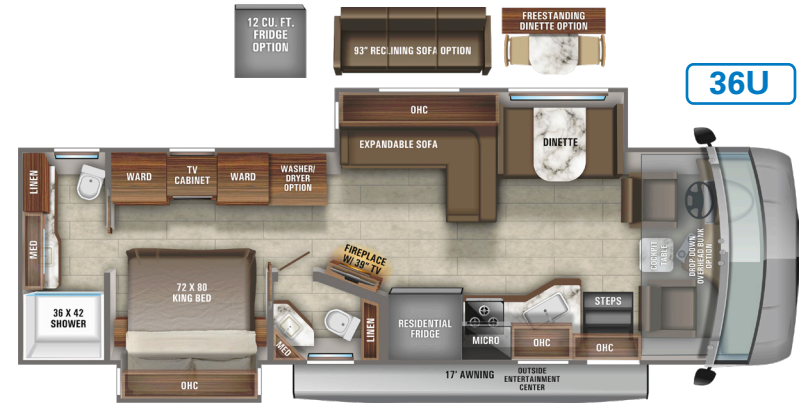
One of Jayco's newest models, there are a number of sleeping configurations to choose from in the luxurious Precept Prestige.

360°

Click here to view 360° tour

\$

Click here to build & price your RV



Ext. Lgth: **38' 2"** Wheelbase: **252"** GVWR: **24,000 lbs.**

36B



Ext. Lgth: **38' 8"** Wheelbase: **252"** GVWR: **24,000 lbs.**

36H



Ext. Lgth: **38' 8"** Wheelbase: **252"** GVWR: **24,000 lbs.**

360°

Click here to view 360° tour

\$

Click here to build & price your RV

## SPECS

MODEL	FLOORPLAN	EXTERIOR LENGTH	EXTERIOR WIDTH	EXTERIOR HEIGHT (WITH A/C)	INTERIOR HEIGHT	WHEEL BASE	FRESH WATER CAPACITY (GAL.)	GRAY WASTE WATER CAPACITY (GAL.)	BLACK WASTE WATER CAPACITY (GAL.)
PRECEPT PRESTIGE	36U	38' 2"	101"	12' 7"	84"	252"	72	50	31/41
	36B	38' 8"	101"	12' 7"	84"	252"	72	50/41	31/41
	36H	38' 8"	101"	12' 7"	84"	252"	72	40/50	40

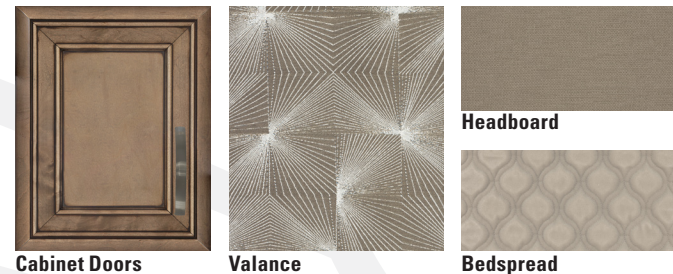
Click here for specification definitions

# TRUE INTERIOR DESIGN. MORE CHOICE. MINDFUL CRAFTSMANSHIP.

Say goodbye to simple RV “decor” and hello to interior design.



**ADDISON INTERIOR DESIGN**



**CASCADE INTERIOR DESIGN**

# PREMIUM EXTERIORS

Jayco's premium full-body paint schemes are not only eye catching, but durable and easy to maintain.



**BASALT FULL-BODY PAINT**



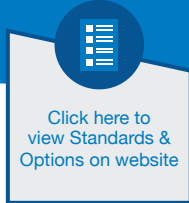
**FELDSPAR FULL-BODY PAINT**



**QUARTZ FULL-BODY PAINT**



**SANDSTONE FULL-BODY PAINT**



# MORE STANDARDS. LESS OPTIONS.

The Precept Prestige is full of features to make your next camping trip convenient, comfortable and fun.

## CUSTOMER VALUE PACKAGE

- JRIDE® PLUS: Computer-balanced driveshaft, variable rate front and rear jounce bumpers, heavy-duty front and rear stabilizer bars, SACHS shocks, 22.5" Michelin® tires
- Automatic hydraulic leveling jacks
- Frameless windows
- 15,000 BTU A/C unit with heat pump and second 13,500 BTU A/C unit
- Exterior entertainment center with outside speakers, LED TV mounted on swivel bracket and single-disc DVD/FM radio
- Electric patio awning with LED lights
- Slideout cover awnings
- Onan® Marquis Gold Genset 5,500-watt generator with auto-gen start 2,000-watt inverter
- 50-amp electrical service
- 10 gal. gas/electric water heater
- Pioneer® 8" infotainment center with Apple® CarPlay™ and Android Auto™
- Backup and side-view cameras
- Removable driver/passenger cockpit table
- LED-lit, solid-surface kitchen countertops with integrated stainless steel sink and sink covers
- LED living room TV
- Day/night roller shades

## STANDARD DRIVING EQUIPMENT

- Ford® F53 chassis
- GVWR - 24,000 lb.
- GCWR - 30,000 lb.
- 7.3L V-8 350 HP engine with 468 ft.-lb. torque
- 6-speed automatic TorqShift® transmission with overdrive and tow haul mode
- 210-amp alternator
- G-rated highway tires - 255/80R22.5
- Front and rear disc, 4-wheel anti-lock brakes
- 5,000 lb. rear hitch receiver with dual connector
- 7-pin plug
- 12V chassis battery

- 80 gal. fuel tank
- 120 in. panoramic windshield
- 6-way power and swivel driver and passenger seats
- Soft-touch, vinyl-wrapped automotive dash
- Tilt steering wheel
- A/C and cruise control

## STANDARD EXTERIOR EQUIPMENT

- StrongholdVBL™ vacuum-bond laminated roof, floor and sidewalls
- Bead-foam insulation (R-24 max roof, R-9 max floor, R-8 max walls)
- One-piece, seamless, fiberglass front and rear caps
- One-piece, seamless, crowned fiberglass roof
- Premium Sikkens full-body paint
- Remote keyless entry
- Entrance door with industry's largest travel view window
- Electric-powered entrance step
- Lockable, pass-through storage compartments with slam latches
- 24.5 gal. propane tank (83 lb.)
- LP quick-connect hookup
- Thetford® Sani-Con Turbo Macerator system
- Exterior utility center
- Winterization drain system
- Outside shower
- 12V demand water pump
- (2) 6V AGM (220Ah) house batteries on slideout tray
- Solar prep
- Flush-mount LED marker lights
- Third brake light
- Porch light

## STANDARD INTERIOR EQUIPMENT

- Power front privacy shade with manual side privacy shades
- JAYCOMMAND® powered by Firefly
- 84 in. interior ceiling height with padded vinyl ceiling
- High-intensity, recessed LED ceiling lights
- LED-lit hardwood fascia
- Hardwood cabinet doors and drawers
- Deluxe hidden cabinet hinges

- Ball-bearing drawer guides
- Jayco-exclusive, easy-operation legless dinette table
- 2-point lap safety belts in all designated seating locations
- 35,000 4BTU auto-ignition ducted furnace
- Furrion® electric fireplace
- Blu-Ray™ player in living area
- Prep for satellite dish
- Cable TV hookup with RG-6 coax and video selector switch
- Digital antenna with signal booster
- 21 cu. ft. residential refrigerator with ice and water in door
- Furrion® stainless, recessed gas cooktop with cast iron grill
- Convection microwave oven
- Decorative kitchen backsplash
- Powered roof vent in kitchen with wall switch
- Water filtration system
- One-piece, fiberglass shower with glass door, skylight and light
- LED-lit, stainless steel bathroom sink
- Porcelain toilet with foot flush
- Powered roof vent in bathroom with wall switch
- Walk-around King-sized bed with bedspread and nightstands
- LED TV in bedroom
- Under-bed storage (select models)
- Large wardrobes
- Bunks with industry-exclusive 300 lb. capacity each (36B)
- Smoke alarm
- Carbon monoxide detector

## OPTIONS

- Drop-down overhead bunk in cab area with 750 lb. capacity
- Combination washer/dryer (36U, 36B)
- Stackable washer/dryer (36H)
- Power theater seating (N/A 36U)
- 120 in. straight reclining sofa (36H)
- 93 in. straight reclining sofa (36U)
- Built-in stainless steel oven
- 12 cu. ft. gas/electric refrigerator
- Free-standing table with 4 chairs (N/A 36H)

# THE JAYCO DIFFERENCE



**2+3**  
YEAR YEAR  
WARRANTY



[Click here to learn more!](#)

## 1 Jayco 2+3 Warranty

A quality warranty represents huge value. Of course it saves you money in case there's a manufacturer defect, but it also represents a lot more. The longer and more complete the warranty a manufacturer offers, the more confidence they have in their work - the higher quality product and more value you'll be taking home.

Jayco's warranty is the best in the RV business. The two-year limited warranty is twice as long as the industry standard, keeping you covered for two full camping seasons. Add to that the three-year limited structural warranty and you've got the most complete coverage, coverage that provides a peace of mind.



[Click here to learn more!](#)

## 2 STRONGHOLD VBL™ laminated walls

Jayco's exclusive STRONGHOLD VBL (vacuum-bond lamination) wall construction process uses vacuum bonding to combine laminated fiberglass with welded aluminum framing, metal backers, decorative interior wall panels, and fiberglass exterior siding. This super-durable structure is designed specifically for heavy use and travel while still reducing weight. Simply put, Jayco's Stronghold VBL construction lessens the chance of delamination and stands up to the elements longer.



[Click here to watch video](#)

## 3 The JRide® ride and handling package

In a motorhome, the adventure does not begin and end at the campsite; the ride to and from camp is an important part of the journey, which is why comfort is a top priority at Jayco. Improving the journey is what inspired our exclusive JRide packages, which offer a powerful blend of precise handling and renowned stability. These important additions make your trip more comfortable without the need for expensive aftermarket upgrades.





#### 4 Safety belts in every designated seating location

Everyone would agree the most precious cargo is the loved ones you travel with. Jayco installs stress-tested seatbelts in every designated seating location to ensure the safety of your entire family. In a Jayco motorhome, you won't have to put anyone at risk due to limited safety belts.



#### 7 Third brake light and backup cameras

Backing up a motorhome is unlike backing up your everyday vehicle. It can be expensive, tricky and even impossible to retrofit some motorhomes with additional safety signals or rearview cameras. At Jayco, backup cameras and third brake lights are installed on each and every motorhome. These features allow you to navigate with ease, while helping deliver you to your camping destination safely.



#### 10 Solar hookups, LED lighting

It's not only environmentally friendly, but solar hookups reduce the cost and load of electrical use in your RV at camp. More and more motorhomes are equipped with solar hookups or prepped for easy installation. LED lights are another energy saving option many RVs offer. Both solar prep and LED lights will be found on all Jayco motorhomes.

**750-lbs.**

Jayco's Overhead Bunk Capacity

**300-lbs.**

Jayco's Standard Bunk Capacity

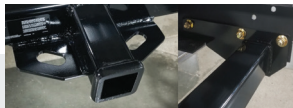


#### 5 Unbeatable bunk ratings

Overhead bunks are a great way to add extra sleeping space without impacting the layout of a motorhome. Unfortunately, customers in competing coaches often have to be very careful about who sleeps in the overhead bunk, or what gear is stored there, due to weight limits of 350-500 lbs.

Jayco has designed our overhead bunks to hold 750 lbs.- this is 250 lbs. more than any of our competitors. In a Jayco overhead bunk, two adults can comfortably rest and relax, or you can safely read a book to your kids at night.

Jayco's superior bunk capacities extend beyond the overhead bunks, with a capacity of 300 lbs. in each standard bunk, as well.



#### 8 Towing Capabilities

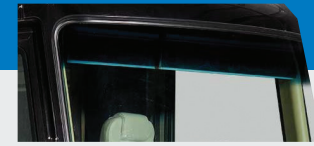
The ability to tow a small trailer or vehicle is one of the top perks of owning a motorhome. While this is an important feature, not all manufacturers are created equal regarding towing capacities.

Jayco engineers motorhomes with a tongue capacity at ten percent of the tow capacity, which is the optimal ratio. In turn, this allows the customers to tow more, without the need for a weight distribution hitch.



#### 11 Strong Roof

Not only is a strong roof important because it's key to the overall structural integrity of a unit, but also for maintenance purposes. The roof may need some TLC throughout the camping season. The ability to safely walk on the roof to perform some simple cleaning and sealant maintenance, is a huge perk for Jayco owners. Not to mention how it can endure a surprisingly heavy snowfall or falling tree limb.



#### 6 120" Windshield

An uninhibited view of the open road is a perk of a Class A motorhome. At Jayco, the largest windshield in the industry provides improved visibility during travel. In fact, Jayco uses the same windshield in our gas Class A product used in top-of-the-line diesel pushers. Oversized wiper blades keep the view clear, even in the rain.

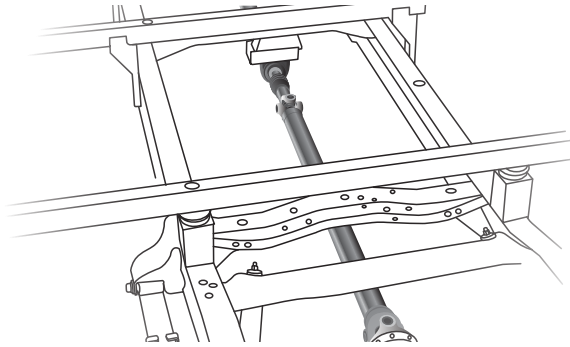


#### 9 Resale Value

Most RV owners will upgrade their rig at some point in their camping lifetime. The list of hidden value items discussed above improves the longevity of a Jayco, which increases resale value. Also, when establishing a trade-in value, motorhomes are valued by their base price only. Any optional equipment will not be included in this number. Jayco motorhomes come packed full of standard features, with very few items left to option in. By building desired options into the base price of the coach as standard features, rather than adding them as options, Jayco builds a higher resale value into their motorhomes. This leads to a better return on your hard-earned investment.

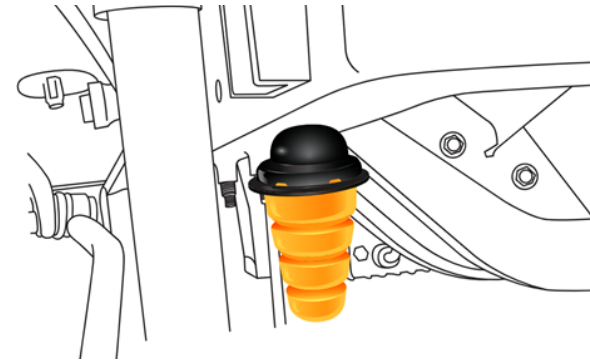
## WE GO TO GREAT LENGTHS TO BUILD BETTER RVs

You can count on our motorhomes - and our focus on family fun - to go the distance. So you can maximize every moment, no matter where the journey takes you. These are the extra steps we take to set our RVs apart.



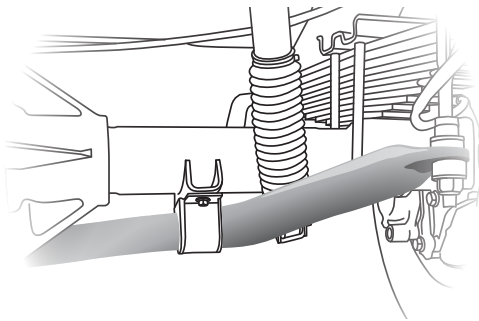
### COMPUTER-BALANCED DRIVESHAFT

Ensures smooth and efficient power transfer to the wheels



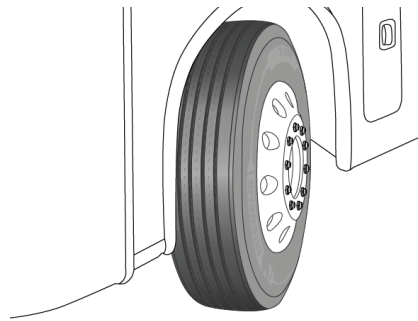
### VARIABLE-RATE FRONT AND REAR JOUNCE BUMPERS

Assist during extreme road occurrences to absorb impact and dampen excess road noise



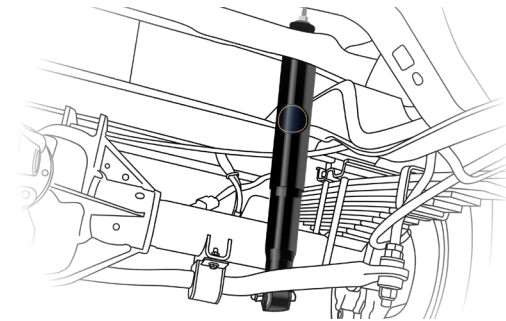
### HEAVY-DUTY FRONT & REAR STABILIZER BAR

A larger bar and polyurethane bushings, instead of rubber, transfer power faster for extra support, more stability and easier handling



### 22.5" MICHELIN® TIRES

Commercial-grade tires built for long hauls and heavy loads



### SACHS SHOCK ABSORBERS

Large-diameter tube design pairs gas and hydraulics to resist heat and pressure while independently adjusting to changing road conditions

# RIDE & HANDLING. DEFINED.

At Jayco, we believe the journey is just as important as the destination, which is why we engineered an industry-first Ride and Handling package - Jayco exclusive JRide®. Packed with ride-enhancing upgrades, get ready for a drive that'll move you.



# WHY YOUR LOCAL DEALER IS YOUR GREATEST ASSET



Before purchasing an RV of your own, you need to explore, touch and test drive one for yourself. From the sales experience to service after the sale, we consider our dealers to be an important part of the Jayco family. Establishing a strong relationship with your local Jayco dealer is a key factor in the enjoyment of your new unit for more than just the buying stage.



**Research:** The initial research that goes into choosing an RV can be overwhelming and with so many different options, how will you narrow it down? Having a local dealer who is knowledgeable and can answer all of the questions you will inevitably have as well as make helpful suggestions will make the buying experience a positive one. From towing weights and cargo capacity to living space and in-unit technology, your Jayco dealer will have all the information you need to make an informed decision and pick out the unit that fits your wants and needs.



**Sale:** Once you have decided which RV is right for you, signing the papers and picking up your new Jayco comes next; a huge step that should be an exciting and smooth process for you. The last thing you want when you're making this kind of commitment is to feel that you're being taken for a ride. It's comforting having someone behind you that ensures your needs are being met as the sale progresses. The luxury of your dealer walking you through each step will give you the peace of mind that all of your bases will be covered.



**Post-Sale:** After the sale, maintaining a strong relationship with your local dealer has tons of benefits that will come in handy. Most dealers offer after-sale service on your coach that will make it easier to get fixes or upgrades so you can spend less time waiting and more time exploring. Having them just a short drive from you is just an added bonus that will make your experience so convenient and enjoyable.

Whatever stage of RV ownership you find yourself in, your local Jayco dealer is your greatest advantage. Creating a lasting relationship with them will benefit you and your RVing experience for years to come. So go ahead, locate your nearest dealer and see what they can do for you!

