



Generations of family fun.

REDHAWK



CLASS C MOTORHOME

REDHAWK



COMFORT FOR THE ROAD AHEAD

2+3
YEAR | YEAR
WARRANTY

REDHAWK



Redhawk 26M Shown in Modern Farmhouse Interior Design



Redhawk 24B Shown in Bridgeport Interior Design



Queen-Sized Bed with Overhead Cabinets & Double Mirrored Wardrobes



Overhead Bunk with 750 lb. Capacity



U-Shaped Dinette with Stow-Away Table & LED TV on Swivel



Kitchen Featuring Stainless Steel Sink, Furrion® All-In-One Cooktop & Oven, Convection Microwave & 8 cu. ft. Gas/Electric Refrigerator



Dash Featuring Sony® Infotainment Center with Apple® CarPlay™ & Android Auto™



Electric Patio Awning with LED Lights

Hardwood Cabinet Doors & Drawers, LED-Lit Fascia & Swivel Driver & Passenger Seats



Click here to visit gallery on website

THE REDHAWK ROLLS ON

Find out how Jayco's legendary construction and unique standard features continue to make the reliable Redhawk one of the best values in its class.

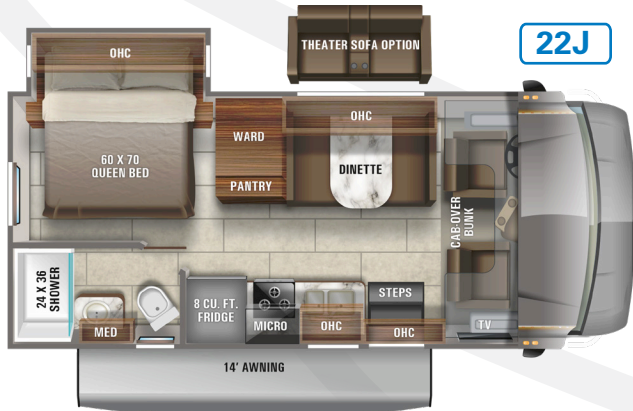


Bathroom Featuring Stainless Steel Sink, Shower with Decorative Surround & Mirrored Medicine Cabinet

REDHAWK FLOORPLANS

Several different floorplan choices offer a variety of living areas to choose from, so you can travel with all your essentials.

 Click here to build & price your RV




Ext. Lgth: **24' 8"** Wheelbase: **158"** GVWR: **14,000 lbs.**

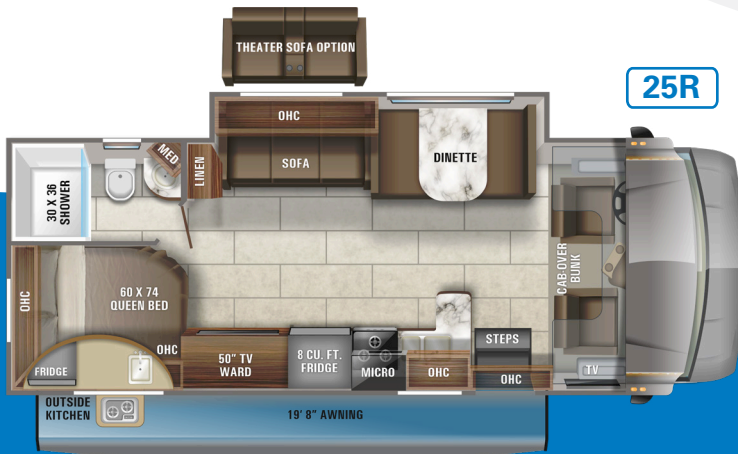


Ext. Lgth: **26' 8"** Wheelbase: **181"** GVWR: **14,000 lbs.**

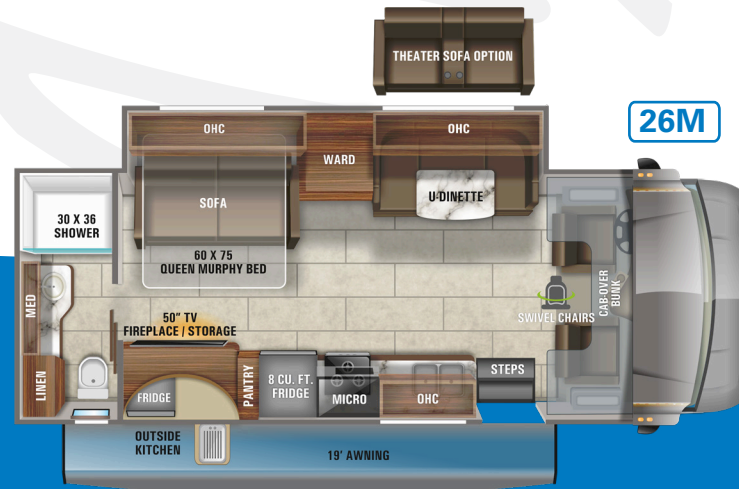
 **360°**
Click here to view 360° tour

 Click here to build & price your RV

 Click here to build & price your RV




Ext. Lgth: **28' 8"** Wheelbase: **181"** GVWR: **14,500 lbs.**



Ext. Lgth: **28' 8"** Wheelbase: **181"** GVWR: **14,500 lbs.**

 **360°**
Click here to view 360° tour

 Click here to build & price your RV

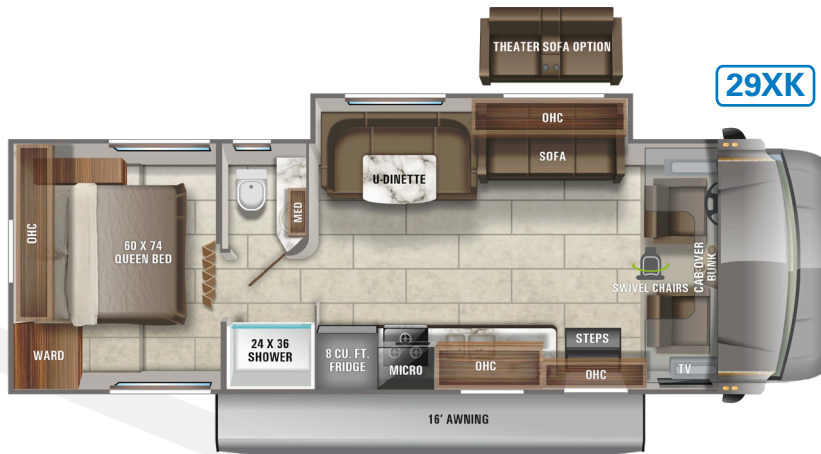


Click here to build & price your RV



26XD

Ext. Lgth: 28' 8" Wheelbase: 181" GVWR: 14,500 lbs.



29XK

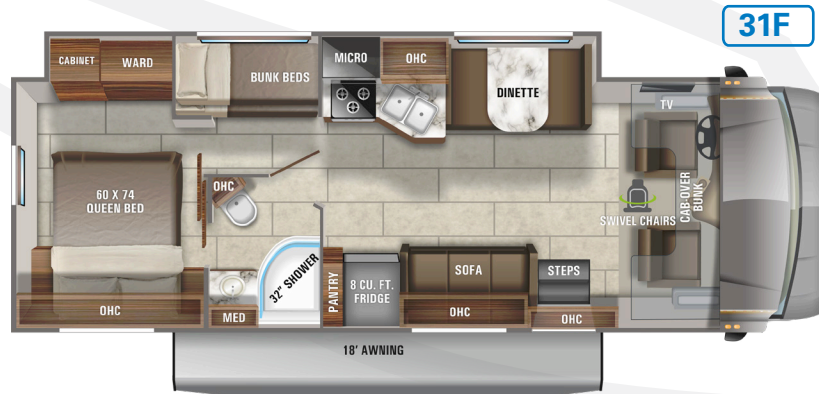
Ext. Lgth: 32' 6" Wheelbase: 223" GVWR: 14,500 lbs.



Click here to build & price your RV



Click here to build & price your RV



31F

Ext. Lgth: 32' 6" Wheelbase: 223" GVWR: 14,500 lbs.



Click here for specification definitions

MODEL	FLOORPLAN	EXTERIOR LENGTH	EXTERIOR WIDTH	EXTERIOR HEIGHT (WITH A/C)	INTERIOR HEIGHT	WHEEL BASE	FRESH WATER CAPACITY (GAL.)	GRAY WASTE WATER CAPACITY (GAL.)	BLACK WASTE WATER CAPACITY (GAL.)
REDHAWK	22J	24' 8"	100"	11' 6"	84"	158"	45	40	31
	24B	26' 8"	100"	11' 6"	84"	181"	45	40	31
	25R	28' 8"	100"	11' 6"	84"	181"	45	41	32
	26M	28' 8"	100"	11' 6"	84"	181"	43	40	31
	26XD	28' 8"	100"	11' 6"	84"	181"	45	41	32
	29XK	32' 6"	100"	11' 6"	84"	223"	45	41	32
	31F	32' 6"	100"	11' 6"	84"	223"	45	41	31

SPECS

TRUE INTERIOR DESIGN. MORE CHOICE. MINDFUL CRAFTSMANSHIP.

Say goodbye to simple RV "decor" and hello to interior design.



BRIDGEPORT INTERIOR DESIGN

MODERN FARMHOUSE INTERIOR DESIGN



STANDARD GRAPHICS PACKAGE

MORE STANDARDS. LESS OPTIONS.

The Redhawk is full of features to make your next camping trip convenient and fun.



CUSTOMER VALUE PACKAGE

JRIDE®: Computer-balanced driveshaft, standard front and rear stabilizer bars, Hellwig® helper springs, rubber isolation body mounts
One-piece, seamless, fiberglass front cap
Heated holding tanks (12V pads)
Electric patio awning with LED lights
Black holding tank sprayer
Sony® infotainment center Apple® CarPlay™ and Android Auto™
Backup camera
LED HDTV in living area
8 cu. ft. flush-mount, double-door refrigerator

STANDARD DRIVING EQUIPMENT

Ford® E-450 chassis
GVWR - 14,500 lb.
GCWR - 22,000 lb.
7.3L V-8 350 HP engine with 468 ft.-lb. torque
6-speed TorqShift® series transmission with overdrive
210-amp alternator
E-rated highway tires - LT225/75R16
Tire pressure monitoring system (TPMS)
Power anti-lock brakes with power steering
7,500 lb. hitch with 750 lb. tongue capacity and 7-pin plug
12V chassis battery
55 gal. fuel tank
Remote-controlled, side-view mirrors
Swivel driver and passenger seats (N/A 22J & 25R)
Driver and passenger air bags
Power windows and door locks
Tilt steering wheel
A/C and cruise control
Auxiliary start switch
Privacy curtains for cab area

STANDARD EXTERIOR EQUIPMENT

StrongholdVBL™ vacuum-bond laminated roof, floor and sidewalls
Bead-foam insulation (R-24 max roof, R-9 max floor, R-5 max walls)
TPO laminated roof
Aluminum running boards
Fiberglass exterior walls with vinyl graphics
Leveling jack prep
Frameless windows
Remote keyless entry
Entrance door with industry's largest travel view window
Electric-powered entrance step with integrated house battery compartment
12V house battery
(2) high-output, marine-grade exterior speakers
Slideout cover awnings
Pass-through storage compartment with light (select models)
12.2 gal. propane tank (41 lb.)
LP quick-connect hookup
Exterior utility center
Winterization drain system
Outside shower
12V demand water pump
Onan® 4,000-watt MicroQuiet™ generator with auto-changeover
30-amp electrical service
Solar prep
Third brake light
Porch light
Roof ladder
4 in. bumper tube sewer hose storage

STANDARD INTERIOR EQUIPMENT

84 in. ceiling height
High-intensity, recessed LED ceiling lights

LED-lit slideout fascia
Hardwood cabinet doors and drawers
Ball-bearing drawer guides
Jayco-exclusive, easy-operation legless dinette table
2-point lap safety belts in all designated seating locations
Interior entrance door grab handle
Interior command center
Pleated blackout shades
15,000 BTU ducted A/C
31,000 BTU auto-ignition furnace
6 gal. gas/electric DSI auto-ignition water heater
Prep for satellite dish
Cable TV hookup with RG-6 coax
Digital antenna with signal booster
Furrion® all-in-one cooktop and oven
Convection microwave
Stainless steel kitchen sink
Decorative kitchen backsplash
Pop-up charging station with 110 outlet and USB plugs
LED-lit, pressed countertops
Water filtration system
Shower with decorative ABS surround and skylight
Removable clothing rod in shower
Stainless steel bathroom sink
Toilet with foot flush
Vent fan in bathroom
Queen-sized bed with bedspread
Under-bed storage (select models)
Large wardrobes
Overhead bunk with 750 lb. capacity
Bunks with industry-exclusive 300 lb. capacity each (31F)
Smoke alarm
Carbon monoxide detector

OPTIONS

Hydraulic leveling jacks
Theater seating (25R, 26XD & 29XK)

THE JAYCO DIFFERENCE



2+3
YEAR YEAR
WARRANTY



[Click here to learn more!](#)

1 Jayco 2+3 Warranty

A quality warranty represents huge value. Of course it saves you money in case there's a manufacturer defect, but it also represents a lot more. The longer and more complete the warranty a manufacturer offers, the more confidence they have in their work - the higher quality product and more value you'll be taking home.

Jayco's warranty is the best in the RV business. The two-year limited warranty is twice as long as the industry standard, keeping you covered for two full camping seasons. Add to that the three-year limited structural warranty and you've got the most complete coverage, coverage that provides a peace of mind.



[Click here to learn more!](#)

2 STRONGHOLD VBL™ laminated walls

Jayco's exclusive STRONGHOLD VBL (vacuum-bond lamination) wall construction process uses vacuum bonding to combine laminated fiberglass with welded aluminum framing, metal backers, decorative interior wall panels, and fiberglass exterior siding. This super-durable structure is designed specifically for heavy use and travel while still reducing weight. Simply put, Jayco's Stronghold VBL construction lessens the chance of delamination and stands up to the elements longer.



[Click here to watch video](#)



3 The JRide® ride and handling package

In a motorhome, the adventure does not begin and end at the campsite; the ride to and from camp is an important part of the journey, which is why comfort is a top priority at Jayco. Improving the journey is what inspired our exclusive JRide packages, which offer a powerful blend of precise handling and renowned stability. These important additions make your trip more comfortable without the need for expensive aftermarket upgrades.



4 Safety belts in every designated seating location

Everyone would agree the most precious cargo is the loved ones you travel with. Jayco installs stress-tested seatbelts in every designated seating location to ensure the safety of your entire family. In a Jayco motorhome, you won't have to put anyone at risk due to limited safety belts.



7 Third brake light and backup cameras

Backing up a motorhome is unlike backing up your everyday vehicle. It can be expensive, tricky and even impossible to retrofit some motorhomes with additional safety signals or rearview cameras. At Jayco, backup cameras and third brake lights are installed on each and every motorhome. These features allow you to navigate with ease, while helping deliver you to your camping destination safely.



10 Solar hookups, LED lighting

It's not only environmentally friendly, but solar hookups reduce the cost and load of electrical use in your RV at camp. More and more motorhomes are equipped with solar hookups or prepped for easy installation. LED lights are another energy saving option many RVs offer. Both solar prep and LED lights will be found on all Jayco motorhomes.

750-lbs.

Jayco's Overhead Bunk Capacity

300-lbs.

Jayco's Standard Bunk Capacity

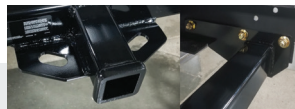


5 Unbeatable bunk ratings

Overhead bunks are a great way to add extra sleeping space without impacting the layout of a motorhome. Unfortunately, customers in competing coaches often have to be very careful about who sleeps in the overhead bunk, or what gear is stored there, due to weight limits of 350-500 lbs.

Jayco has designed our overhead bunks to hold 750 lbs. - this is 250 lbs. more than any of our competitors. In a Jayco overhead bunk, two adults can comfortably rest and relax, or you can safely read a book to your kids at night.

Jayco's superior bunk capacities extend beyond the overhead bunks, with a capacity of 300 lbs. in each standard bunk, as well.



8 Towing Capabilities E-450 (standard on Redhawk only)

The ability to tow a small trailer or vehicle is one of the top perks of owning a motorhome. While this is an important feature, not all manufacturers are created equal regarding towing capacities.

Jayco engineers motorhomes with a tongue capacity at ten percent of the tow capacity, which is the optimal ratio. In turn, this allows the customers to tow more, without the need for a weight distribution hitch.



11 Strong Roof

Not only is a strong roof important because it's key to the overall structural integrity of a unit, but also for maintenance purposes. The roof may need some TLC throughout the camping season. The ability to safely walk on the roof to perform some simple cleaning and sealant maintenance, is a huge perk for Jayco owners. Not to mention how it can endure a surprisingly heavy snowfall or falling tree limb.



6 One-piece, seamless front cap

The front cap of a motorhome bears the brunt of road travel. Seams along the front and sides of the front cap create ample opportunities for water intrusion, where rain and debris are hitting hardest during travel. A poorly built front cap can lead to unsightly wear and tear, as well as unwanted time in service bays.

Jayco's front cap sets the bar in the industry as the only one-piece seamless cap available. This industry-exclusive cap resists water damage from moisture and debris better than the competition, which reduces the chances of costly repairs and time off the road.

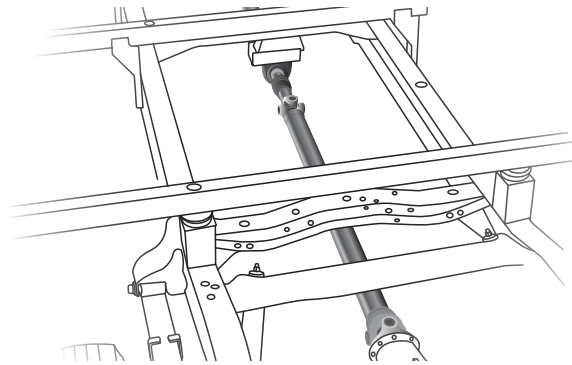


9 Resale Value

Most RV owners will upgrade their rig at some point in their camping lifetime. The list of hidden value items discussed above improves the longevity of a Jayco, which increases resale value. Also, when establishing a trade-in value, motorhomes are valued by their base price only. Any optional equipment will not be included in this number. Jayco motorhomes come packed full of standard features, with very few items left to option in. By building desired options into the base price of the coach as standard features, rather than adding them as options, Jayco builds a higher resale value into their motorhomes. This leads to a better return on your hard-earned investment.

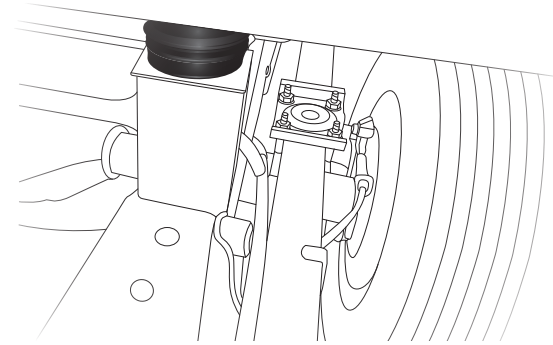
WE GO TO GREAT LENGTHS TO BUILD BETTER RVs

You can count on our motorhomes - and our focus on family fun - to go the distance. So you can maximize every moment, no matter where the journey takes you. These are the extra steps we take to set our RVs apart.



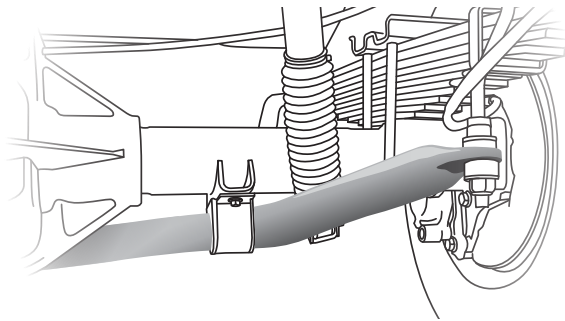
COMPUTER-BALANCED DRIVESHAFT

Ensures smooth and efficient power transfer to the wheels



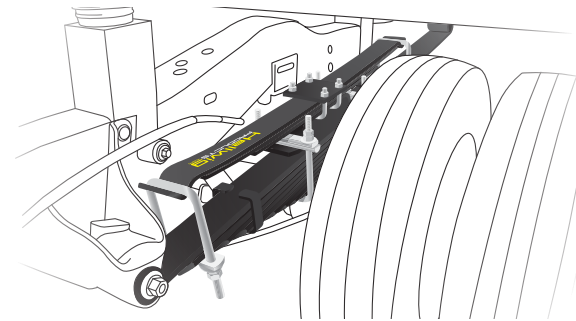
RUBBER ISOLATION MOUNTS

Positioned near the tires to absorb road shock, dampen noise and minimize vibrations



STANDARD FRONT & REAR STABILIZER BAR

Reduces the body roll of a vehicle during cornering or over road irregularities



HELLWIG® HELPER SPRINGS

Work with the chassis' existing springs to give the RV more support, improving stability under heavy loads

RIDE & HANDLING. DEFINED.

At Jayco, we believe the journey is just as important as the destination, which is why we engineered an industry-first Ride and Handling package - Jayco exclusive JRide®. Packed with ride-enhancing upgrades, get ready for a drive that'll move you.



(REDHAWK ONLY)

WHY YOUR LOCAL DEALER IS YOUR GREATEST ASSET



Before purchasing an RV of your own, you need to explore, touch and test drive one for yourself. From the sales experience to service after the sale, we consider our dealers to be an important part of the Jayco family. Establishing a strong relationship with your local Jayco dealer is a key factor in the enjoyment of your new unit for more than just the buying stage.



Research: The initial research that goes into choosing an RV can be overwhelming and with so many different options, how will you narrow it down? Having a local dealer who is knowledgeable and can answer all of the questions you will inevitably have as well as make helpful suggestions will make the buying experience a positive one. From towing weights and cargo capacity to living space and in-unit technology, your Jayco dealer will have all the information you need to make an informed decision and pick out the unit that fits your wants and needs.



Sale: Once you have decided which RV is right for you, signing the papers and picking up your new Jayco comes next; a huge step that should be an exciting and smooth process for you. The last thing you want when you're making this kind of commitment is to feel that you're being taken for a ride. It's comforting having someone behind you that ensures your needs are being met as the sale progresses. The luxury of your dealer walking you through each step will give you the peace of mind that all of your bases will be covered.



Post-Sale: After the sale, maintaining a strong relationship with your local dealer has tons of benefits that will come in handy. Most dealers offer after-sale service on your coach that will make it easier to get fixes or upgrades so you can spend less time waiting and more time exploring. Having them just a short drive from you is just an added bonus that will make your experience so convenient and enjoyable.

Whatever stage of RV ownership you find yourself in, your local Jayco dealer is your greatest advantage. Creating a lasting relationship with them will benefit you and your RVing experience for years to come. So go ahead, locate your nearest dealer and see what they can do for you!

